

DH-PFM141

Hi-fidelity Pickup



Features

- Omni-directional condenser microphone, high fidelity;
- 30KV Air contact ESD, built-in Lightning Protection, power supply polarity reversal protection and electrostatic protection; with ALC, DSP digital noise reduction processing and AGC processing;
- Easy to install, match with cameras or storage devices which have audio function!

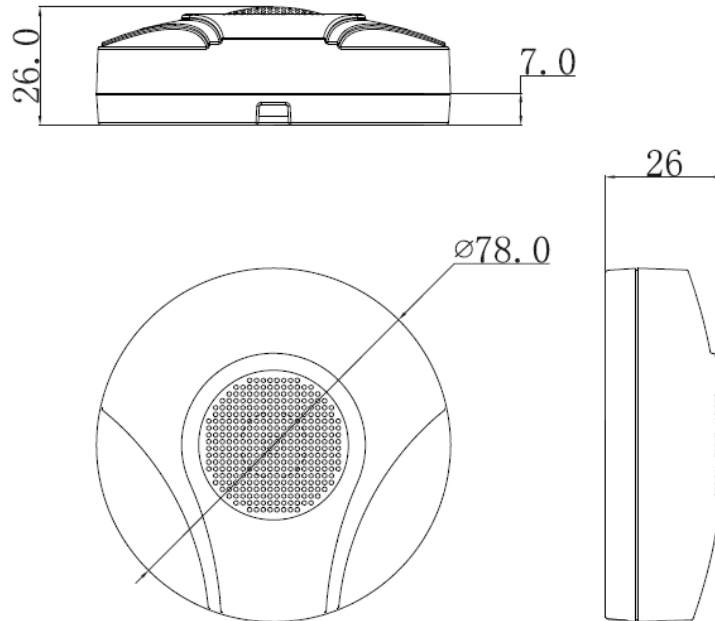
Specifications

| Model | DH-PFM141 |
|---------------------------------|--------------------------------|
| Properties | |
| Scope | 5-100m ² |
| Sensitivity | -32dB(-45~-15dB adjustable) |
| Frequency response | 20Hz~20kHz |
| Directional characteristic | Omni-directional |
| SNR | 80dB(1m 40dB sound source SPL) |
| Dynamic range | 104dB(1KHz at Max dB SPL) |
| Max. sustainable sound pressure | 120dB SPL(1KHz, THD 1%) |
| Output impedance | 600Ω(non-equilibrium) |
| Output signal amplitude | 2.5Vpp/-25dB |
| Working voltage | DC 12V(9~15V) |
| Working current | 60mA(50~100mA) |
| Working temperature | -30℃~+70℃ |
| Color | White |

DH-PFM141

| | |
|------------------|------------|
| Outer shell | PC |
| Dimension | φ78mmx26mm |
| Weight | 73g |
| Carried standard | CE/FCC |

Dimensions (mm)



Dahua Technology Co., Ltd.

1199 BinAn Road, Binjiang District, Hangzhou, China

Tel: +86-571-87688883

Fax: +86-571-87688815

Email: overseas@dahuatech.com

www.dahuasecurity.com

*Design and specifications are subject to change without notice.

© 2016 Dahua Technology Co., Ltd.